



Middle School Technical Design

Design Brief

Problem statement

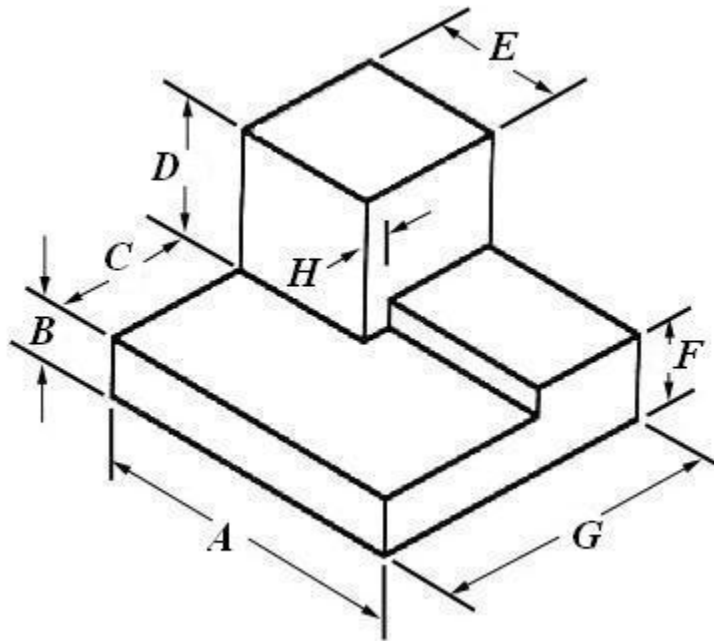
A customer of a trophy company has 200 aluminum unfinished bases as shown below. The customer is requesting that the base be modified for a better appearance before any holes are drilled to attach additional items. Considering that the dimension labeled A on the drawing below is the front, design an improved base that can be created from the unfinished bases.

Criteria

The solution can include curves or other angles to the surfaces.

Constraints

The solution must be one piece of material that is created from the unfinished blanks.



Unfinished Base

Scale: as assigned.

$A = 2 \frac{3}{4}$ ", $B = \frac{1}{2}$ ", $C = 1 \frac{1}{4}$ ", $D = 1 \frac{1}{4}$ ", $E = 1$ ",
 $F = \frac{3}{4}$ ", $G = 2 \frac{1}{4}$ ", $H = \frac{1}{8}$ "